



ProUPS 10 to 60KVA UPS 120VDC Battery Link Models

Professional Series Uninterruptible Power Supply (ProUPS)

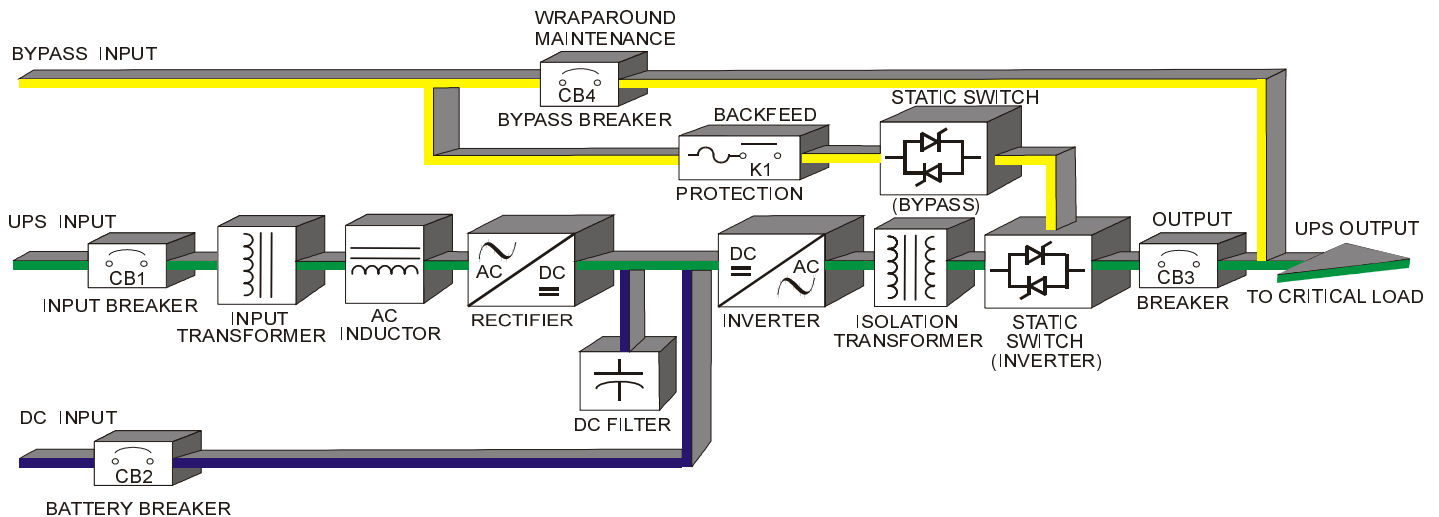
- True On-Line Technology for Maximum Power Protection
- Input Power Factor Correction Reduces Power Consumption Conserving Energy
- Input THD Less Than 10%
- True Double Conversion Design for Total Load Isolation and Protection
- Full Load Rated No Break Dual Solid-State Static Switch
- Reliable and Robust Design Providing a 20-Year Design Life
- Highest Quality Components All Copper Wound Transformers
- LCD Monitoring Panel with Power Flow Diagram
- Dual Input for Optimum Load Protection
- RS232 Communications Port
- Form "C" Interface Contacts
- Internal Manual Bypass Switch
- Shutdown Software Compatible
- Generator Compatible Rectifier Input
- Built to Meet Stringent UL1778, NEMA, NEC, ANSI, and FCC Requirements



10 to 20KVA Models



25 to 60 KVA Models





ProUPS 10 to 60KVA UPS

Technical Specifications																
Model	10kva		15kva		20kva		25kva		30kva		40kva		50kva		60kva	
Input Voltages (3 Ph)	208	480	208	480	208	480	208	480	208	480	208	480	208	480	208	480
Normal Current Amps	31.1	13.5	46.7	20.2	62.3	27	77.8	33.7	93.4	40.5	124.5	53.9	155.6	67.4	186.75	80.9
Max Current (Amps)	33.3	14.4	50	21.6	66.7	28.9	83.4	36.1	100	43.3	133.4	57.8	166.7	72.2	200.1	86.7
Input Distortion	<10% Total Harmonic Distortion at full rated load															
Input Power Factor	Typically 1.0 P.F. @ full load															
Input Frequency	50/60Hz±6%															
AC Output																
Output Voltage VAC	208	480	208	480	208	480	208	480	208	480	208	480	208	480	208	480
Frequency (Hz)	60Hz		60Hz		60Hz		60Hz		60Hz		60Hz		60Hz		60Hz	
Full Load (Amps)	28.7	12.0	41.7	18.1	55.6	24.1	69.5	30.1	83.4	36.1	111.2	48.2	139	60.2	166.8	72.3
DC Link																
Nominal DC Voltage	120		120		120		120		120		120		120		120	
DC Watts (Full Load)	9,600		14,400		19,200		24,000		28,800		38,400		48,000		57,600	
DC Amps (Full Load)	80		120		160		200		240		320		400		480	
Max DC Amps	100		150		200		250		300		400		500		600	
End of Discharge	105VDC		105VDC		105VDC		105VDC		105VDC		105VDC		105VDC		105VDC	
Number of Cells	60		60		60		60		60		60		60		60	
VDC Fit/Eq. Range	105 to 150		105 to 150		105 to 150		105 to 150		105 to 150		105 to 150		105 to 150		105 to 150	
Efficiency																
AC to AC (%)	88		88		88		88		88		88		88		88	
DC to AC (%)	92		92		92		92		92		92		92		92	
BTU/Hr.	3,275		4,913		6,551		8,188		9,826		13,102		16,378		19,653	
Mechanical																
Size WxD xH	31.5x29.5x65		31.5x29.5x65		31.5x29.5x65		31.5x29.5x65		31.5x29.5x65		31.5x29.5x65		49.5x29.5x65		49.5x29.5x65	
Weight (lbs)	860		950		1,058		1,058		1,150		1,220		1,720		1,840	

Input

Voltage: 3 phase, 3 wire plus ground
 Range: +10%, -20%
 Regulation: ±1% from 0 to 100% load
 Power Factor: .99 P.F. at full rated load
 Walk-In: 10 seconds to full load
 Input THD: Typically Less Than 10%
 Frequency: 50 Hz or 60 Hz ± 6%
 Surge Protection: ANSI C62.41

Environmental

Ambient Temperature: 0°C to 40° C
 Relative Humidity: Up to 95% noncondensing
 Acoustical Noise: 65dB 'A' scale at 1 meter
 Altitude: 5,000 ft. without derating
 Storage Temperature: -20°C to 70°C

Output

Voltage: 3 Phase, 3 or 4 wire plus ground
 Regulation: ± 2% from 0 to 100% load
 Unbalanced: ± 3% for 100% unbalanced load
 Output THD: <3% linear, <5% nonlinear load
 Overload: 120% for 15 min., 150% for 1 min.,
 bypass 1000% for 1 sec.
 Slew Rate: 1Hz per second (adjustable)
 Frequency: ± 0.01% free running

General Information

Cable Entry: Top or Bottom
 Ventilation: Forced Air N+1
 Paint: Light Gray
 Cabinet: Seismic Zone 4 Rated

Note:

- Specifications shown reflect standard 60Hz UPS models. Models of 50 Hz, 400Hz, and single phase or other input and output voltage configurations are available by contacting the factory.
- All Models are available as stand alone DC to AC inverters and frequency converters.
- All data is subject to change without notice.

LTI Power Systems is a ISO9001-2000 listed manufacturer

LTI Power Systems • 10800 Middle Ave., Bldg. B • Elyria, OH 44035
 Phone (440) 327-5050 • FAX (440) 458-8140 • www.ltipowersystems.com